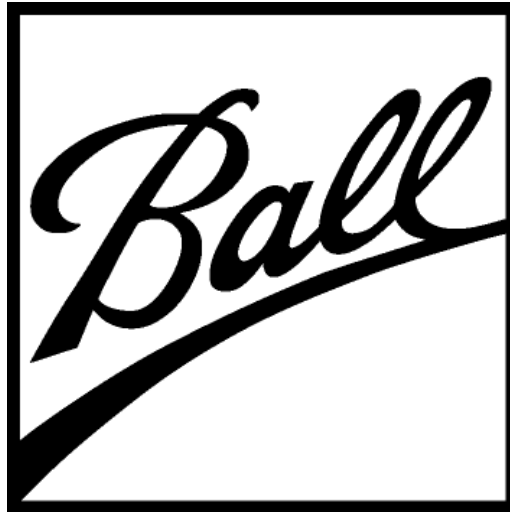


# Ball Aerospace

## Facilities Guidelines & Standards



### C.13

#### Mother's Room Guidelines

Revision 0



**Table of Contents**

Section 1.0 – General Requirements ..... 2

Section 2.0 – Specific Design Requirements ..... 2

Supplemental Document Information ..... 4

Revision Log ..... 4

**Section 1.0 – General Requirements**

- 1.1. The objective for providing Mother's Room Guidelines is to achieve a coherence, continuity, and compatibility for all buildings managed and operated by Ball. The design standards set forth here are intended to assist designers and contractors in providing a design which is conducive to supporting Ball's operational, maintenance, and life-cycle needs.
- 1.2. All Mother's Rooms shall be designed to comply with current building and fire code requirements adopted by the local AHJ.
- 1.3. Remodeling activities are not to result in the reduction of available Mother's Room space below the minimum space standards outlined below. To the extent possible, remodeling projects shall be viewed as opportunities to improve substandard Mother's Rooms.

**Section 2.0 – Specific Design Requirements**

**3.1. General**

- 3.1.1. A minimum of one (1) Mother's Room per building or 100 women / 200 employees is a general recommendation for quantity per building. Rooms shall be a minimum of 80 square feet and clear dimensions shall be no smaller than 8'-0" x 10'-0".
- 3.1.2. Where possible, all Mother's Rooms shall be located within 50 feet of the primary restroom area and should be located in a safe area accessible to all. They should not be located in areas that would not be suitable for the preparation and storage of food.
- 3.1.3. Where possible, all newly constructed Mother's Rooms shall be ADA accessible. For renovation projects and where spatial hardships exist, a minimum of one (1) Mother's Room per building shall be ADA accessible.

**3.2. Architectural**

- 3.2.1. Ceilings shall be dropped ACT at minimum 9'-0" above finished floor.
- 3.2.2. Doors shall be a minimum of 36" wide with a user-operated lock with an indicator for privacy / 'occupied' message to discourage interruptions and still allow for one hand operation when exiting.
- 3.2.3. Walls shall and gypsum board shall extend to deck where possible. Batt insulation should be provided in stud cavities to reduce sound transmission.
- 3.2.4. Where walls cannot be extended to structure above, sound masking system should be provided.



### 3.3. Room Finishes

- 2.4.1. Flooring to be LVT vinyl tiles.
- 2.4.2. Millwork to be faced with plastic laminate and melamine on interior surfaces.
- 2.4.3. Wall paint to be light colored, with one (1) accent colored wall or full-wall decorative graphic. 4" rubber base to be provided at all walls.
- 2.4.4. Countertops to be solid surface or simulated stone.

### 2.5. Specialties & Accessories

- 2.5.1. Appliances:
  - 2.5.1.1. One (1) Undercounter refrigerator; front venting to avoid overheating.
  - 2.5.1.2. One (1) Microwave; free-standing on countertop.
- 2.5.2. Two (2) heavy duty clothes hooks for coats/bags.
- 2.5.3. One (1) wall-mounted automatic paper towel dispenser.
- 2.5.4. One (1) wall-mounted soap dispenser.
- 2.5.5. One (1) wall-mounted mirror above sink.

### 2.6. Plumbing

- 2.6.1. One (1) sink with chrome-plated faucet.

### 2.7. Electrical and Low Voltage

- 2.7.1. Minimum of three (3) 20 amp outlets:
  - 2.7.1.1. One (1) on dedicated circuit behind refrigerator to support refrigerator and microwave.
  - 2.7.1.2. One (1) above counter to support pumping equipment, charging, etc.
  - 2.7.1.3. One (1) on separate wall for convenience.
- 2.7.2. One (1) data drops for phone.
- 2.7.3. LED lighting with dimmable switch. One (1) floor lamp for accent lighting.



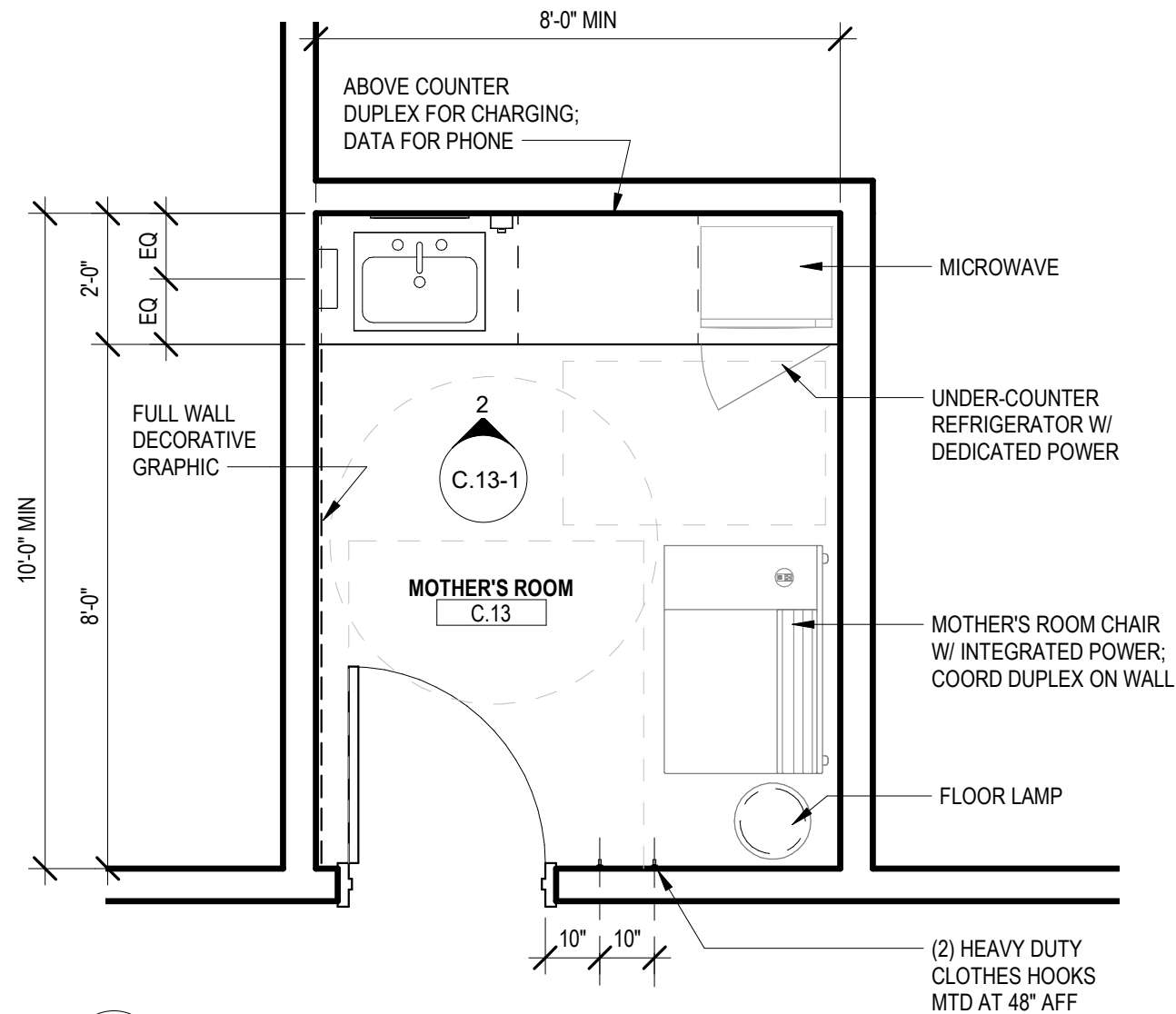
## Supplemental Document Information

The following resource documents should be referenced for execution of the standards and guidelines described above.

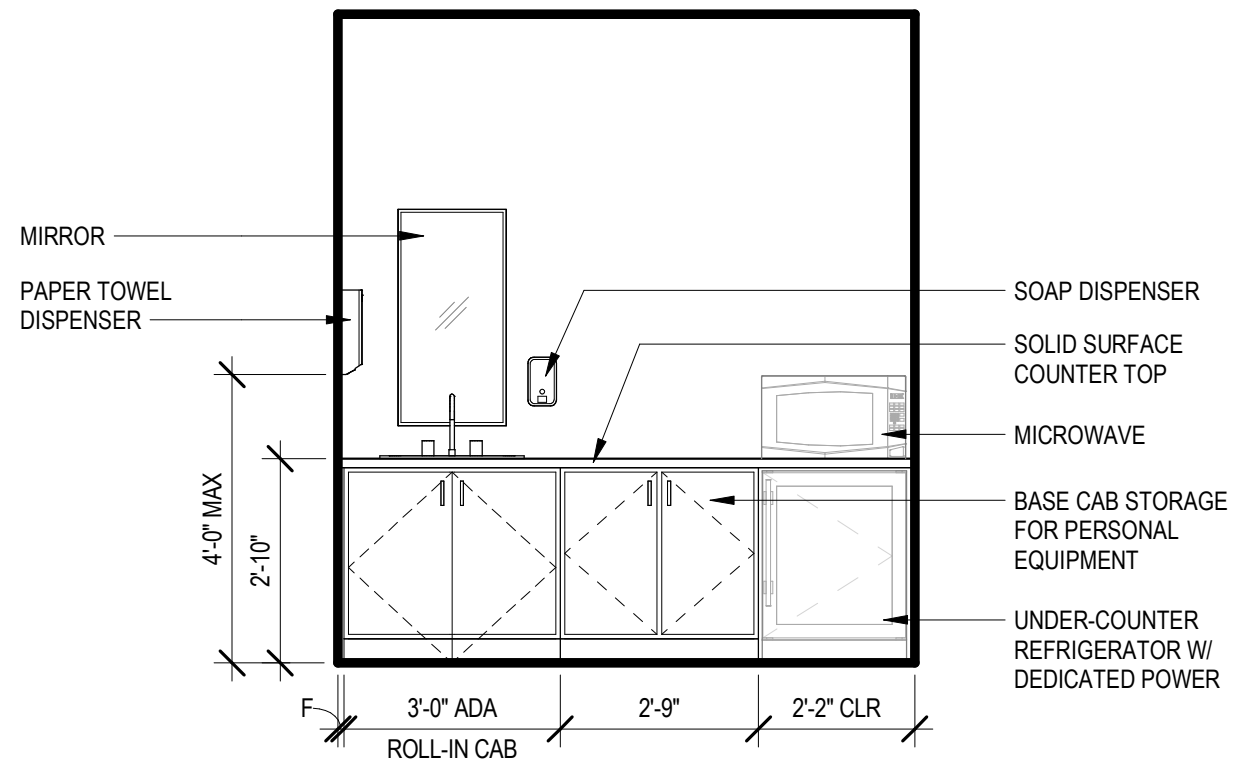
Document Number	Document Title

## Revision Log

Revision	Release Date	Description of Changes
0	4/11/2022	Initial Release



**1 FLOOR PLAN - TYP MOTHER'S ROOM**  
C.13-1 3/8" = 1'-0"



**2 C.13 - MOTHER'S ROOM - ELEVATION - WET WALL**  
C.13-1 3/8" = 1'-0"



**TYPICAL MOTHER'S ROOM LAYOUT**

SCALE: 3/8" = 1'-0"

BALL AEROSPACE & TECHNOLOGIES CORP | FACILITIES STANDARDS & GUIDELINES

DATE:	4/11/22
CURRENT REVISION:	0
DRAWN BY:	GZ
CHECKED BY:	GZ

**C.13-1**

SHEET: 1 OF 1

Copyright ©2022 Ball Aerospace & Technologies Corp. All Rights Reserved. The Facilities Standards & Guidelines and all information contained therein (the "FSGs") are the private property of Ball Aerospace & Technologies Corp. ("Ball Aerospace") and may not be distributed or reproduced, except as specifically authorized by Ball Aerospace and with this legend conspicuously attached. The FSGs are provided as guidance and clarification of requirements and shall not be used as construction documents. Ball Aerospace does not guarantee, represent, warrant, or assure the safety or performance of any service, item, property, product, component, or system tested, installed, or operated in accordance with the FSGs.